


# PRODUCT SHEET

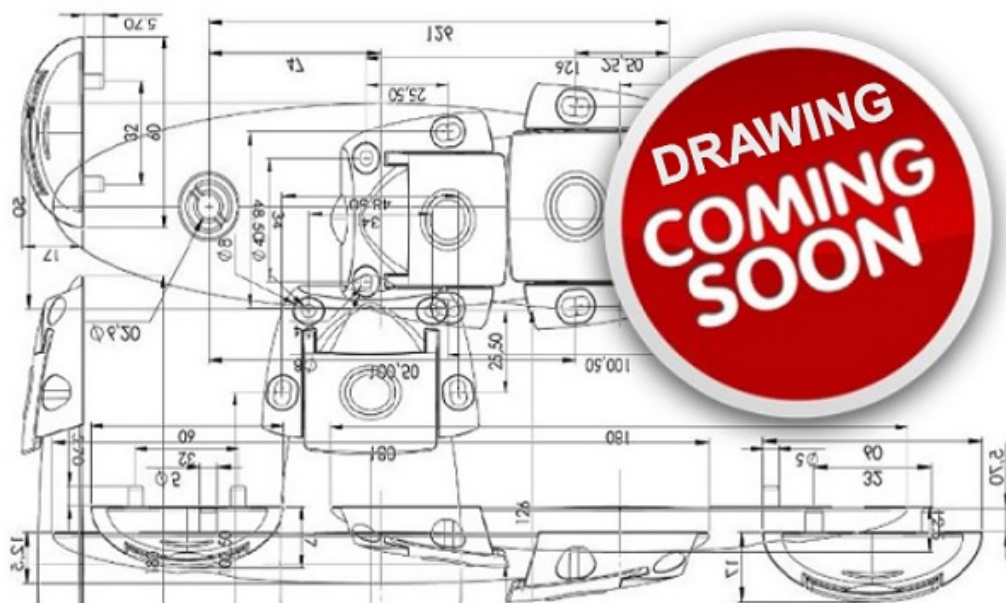
## Description:

Furniture Nail,Domed Head,Steel,#506 2,Brass Relieved Polish

## Item number:

29.05.200-0

Units	Box	Carton	HS Code	Barcode
Pcs.	0	1000	7318290090	
				5704866097291



### SISO A/S

Mileparken 11  
DK-2740 Skovlunde  
Denmark  
VAT: DK 24786013

Phone +45 45 830 900

[www.siso.dk](http://www.siso.dk)  
[siso@siso.dk](mailto:siso@siso.dk)

Danske Bank  
Nytorv Branch  
Copenhagen  
SWIFT: DABADKKK

Account no.  
4180 3112 112936  
IBAN Account  
DK7230003112112936